

2014

hadeff.com














Aluminium Gantry Cranes 
and Accessories

HADEF[®]





Aluminium Gantry Cranes and Accessories

Aluminium Gantry Crane with collapsible lateral stands	Page 4	
Aluminium Gantry Crane with collapsible lateral stands as well as double beam	Page 4	
Aluminium Gantry Crane, movable under load with collapsible lateral stands	Page 5	
Aluminium Gantry Crane, movable under load with collapsible lateral stands as well as double beam	Page 5	
Wheel Kit	Page 6	
Hand Winch	Page 6	
Cable System/Power Supply	Page 6	
Chain Hoist	Page 6	
Electric Chain Hoist	Page 6	
Custom-Made-Equipment	Page 7	
Custom-Made-Equipment	Page 7	



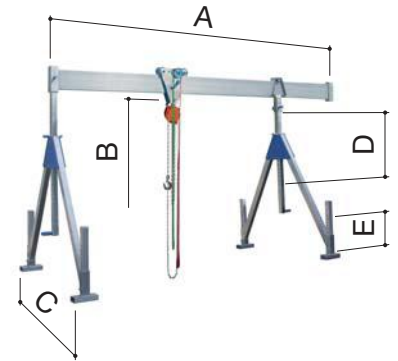
Aluminium Gantry Crane with collapsible lateral stands

incl. park-break-trolley
incl. integrated horizontal adjuster



custom made products on request and on page 7

Type	Item no.	load capacity kg	beam length			width of lateral stand		adjusting range		weight kg
			A mm	B mm		C mm	beam support D mm	telescopic foot E mm		
1	2801311040	1,000	4.100	1.260 - 2.360		1.300	700	400	91	
1	2801311060	1,000	6.100	1.260 - 2.360		1.300	700	400	117	
1	2801311540	1,500	4.100	1.260 - 2.360		1.300	700	400	99	
1	2801311560	1,500	6.100	1.260 - 2.360		1.300	700	400	141	
2	2801321040	1,000	4.100	1.740 - 2.990		1.740	850	400	97	
2	2801321060	1,000	6.100	1.740 - 2.990		1.740	850	400	123	
2	2801321540	1,500	4.100	1.740 - 2.990		1.740	850	400	105	
2	2801321560	1,500	6.100	1.740 - 2.990		1.740	850	400	147	
3	2801331040	1,000	4.100	2.320 - 4.020		2.240	1,300	400	149	
3	2801331060	1,000	6.100	2.320 - 4.020		2.240	1,300	400	175	
3	2801331540	1,500	4.100	2.320 - 4.020		2.240	1,300	400	157	
3	2801331560	1,500	6.100	2.320 - 4.020		2.240	1,300	400	199	



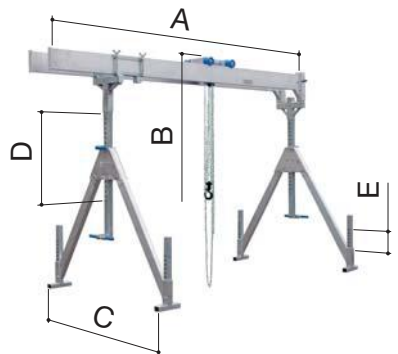
Aluminium Gantry Crane with collapsible lateral stands as well as double beam

incl. park-break-trolley
incl. integrated horizontal adjuster



custom made products on request and on page 7

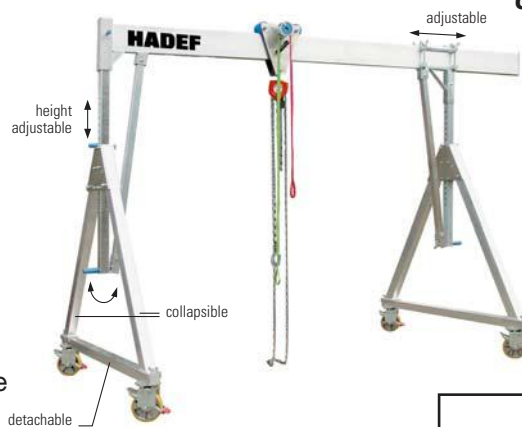
Type	Item no.	load capacity kg	beam length			width of lateral stand		adjusting range		weight kg
			A mm	B mm		C mm	beam support D mm	telescopic foot E mm		
1	2801511040	1,000	4,000	1.730 - 2.830		1.300	700	400	156	
1	2801511060	1,000	6,000	1.730 - 2.830		1.300	700	400	208	
1	2801511540	1,500	4,000	1.730 - 2.830		1.300	700	400	156	
1	2801511560	1,500	6,000	1.730 - 2.830		1.300	700	400	208	
2	2801521040	1,000	4,000	2.150 - 3.570		1.740	1.020	400	162	
2	2801521060	1,000	6,000	2.150 - 3.570		1.740	1.020	400	214	
2	2801521540	1,500	4,000	2.150 - 3.570		1.740	1.020	400	162	
2	2801521560	1,500	6,000	2.150 - 3.570		1.740	1.020	400	214	
3	2801531040	1,000	4,000	2.650 - 4.350		2.240	1,300	400	208	
3	2801531060	1,000	6,000	2.650 - 4.350		2.240	1,300	400	260	
3	2801531540	1,500	4,000	2.650 - 4.350		2.240	1,300	400	208	
3	2801531560	1,500	6,000	2.650 - 4.350		2.240	1,300	400	260	



Aluminium Gantry Crane, movable under load with collapsible lateral stands

incl. park-break-trolley
incl. integrated horizontal adjuster

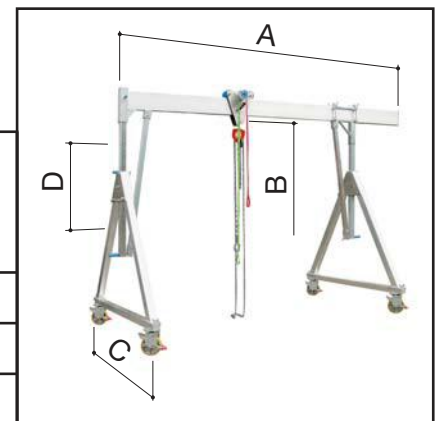
with 4 steel custers
- heavy-duty polyurethane lining
- with integrated castor and live ring brake



*custom made products
on request and
on page 7*



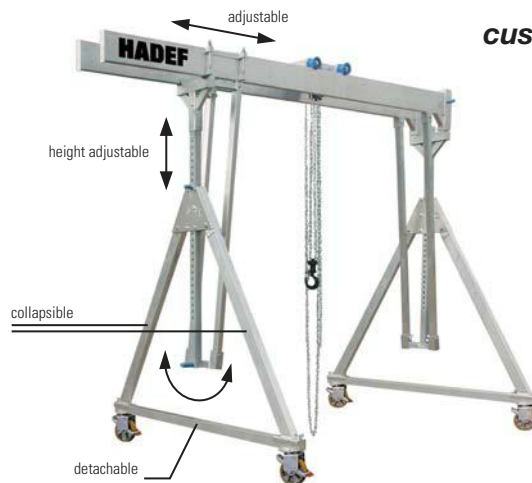
Type	Item no.	load capacity kg	beam length A mm		suspension point at the bolt of the trolley B mm		width of lateral stand C mm			adjusting range beam support		weight kg
			D mm	E mm	D mm	E mm	D mm	E mm				
1	2801471040	1,000	4,000	1.730 - 2.130	1.490	400	--	167				
1	2801471540	1,500	4,000	1.730 - 2.130	1.490	400	--	175				
2	2801481040	1,000	4,000	2.170 - 3.020	2.000	850	--	189				
2	2801481540	1,500	4,000	2.170 - 3.020	2.000	850	--	197				
3	2801491040	1,000	4,000	2.500 - 3.800	2.320	1,300	--	207				
3	2801491540	1,500	4,000	2.500 - 3.800	2.320	1,300	--	215				



Aluminium Gantry Crane, movable under load with collapsible lateral stands as well as double beam

incl. park-break-trolley
incl. integrated horizontal adjuster

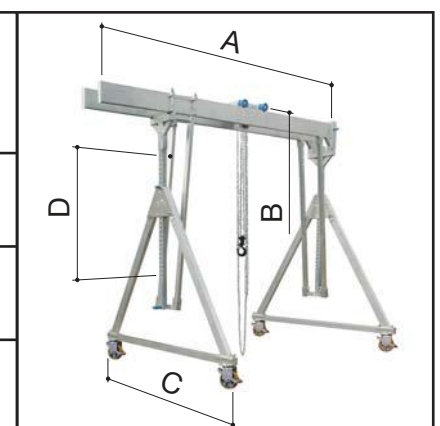
with 4 steel custers
- heavy-duty polyurethane lining
- with integrated castor and live ring brake



*custom made products
on request and
on page 7*



Type	Item no.	load capacity kg	beam length A mm		suspension point at the bolt of the trolley B mm		width of lateral stand C mm			adjusting range beam support		weight kg
			D mm	E mm	D mm	E mm	D mm	E mm				
1	28014401040	1,000	4,000	2.060 - 2.500	1.490	400	--	234				
1	28014401060	1,000	6,000	2.060 - 2.460	1.490	400	--	286				
1	28014401540	1,500	4,000	2.060 - 2.460	1.490	400	--	234				
1	28014401560	1,500	6,000	2.060 - 2.460	1.490	400	--	286				
2	28014501040	1,000	4,000	2.500 - 3.350	2.000	850	--	260				
2	28014501060	1,000	6,000	2.500 - 3.350	2.000	850	--	312				
2	28014501540	1,500	4,000	2.500 - 3.350	2.000	850	--	260				
2	28014501560	1,500	6,000	2.500 - 3.350	2.000	850	--	312				
3	28014601040	1,000	4,000	2.920 - 4.220	2.320	1,300	--	278				
3	28014601060	1,000	6,000	2.920 - 4.220	2.320	1,300	--	330				
3	28014601540	1,500	4,000	2.920 - 4.220	2.320	1,300	--	278				
3	28014601560	1,500	6,000	2.920 - 4.220	2.320	1,300	--	330				





Wheel Kit



Item no. 28024002

Item no. 28024002
 With heavy-duty polyurethane foam tyres
 For indoor and outdoor moving of the Crane without load
 Item No. 28024001
 With heavy-duty polyurethane lining
 For indoor moving of the Crane without load



Item no. 28024001

Facilitates the moving of the assembled Gantry Crane, without load. The spring mounted guide rolls allow the Crane's lateral stands to rest directly on the supports when under greater loads. The fork legs are individually height adjustable. The leg and fork construction permits the lateral stands to remain upright when assembling and unassembling the Crane.

Wheels: 4 steel casters with integrated wheel and live ring brake
 1 Wheel Kit = 4 "forks"

The Wheel Kit is suitable for all stationary Gantry Cranes (compare page 4)

Hand Winch



- For height adjustment
- 1 set = 2 pieces (1 Hand Winch per lateral stand)
- Permits large lifting height
- The load on the crank is constant and independent of the cylinder diameter
- Durability due to the chain drive

Item no. 28059150 suitable for all Aluminium Gantry Cranes

Cable System / Power Supply

single beam

double beam



①

②

Item no. 2802509998

Item no. 2802509999

- The Crane is delivered ready-to-use including all connectors
 - Power supply 400 V / 16 Amp. 50 Hz.
 - Phase inverter CEE-connector
 - The electrical connection for the chain hoist is made using a plug and socket connection (Protection Class DIN EN 60 529 IP66)
 - All electrical components are appropriate for internal and external operating conditions
1. Item no. 2802509998 suitable for all Aluminium Gantry Cranes with single beam
 2. Item no. 2802509999 suitable for all Aluminium Gantry Cranes with double beam

Electric Chain Hoist



Chain Hoist



HADEF-Products

Special Gantry Crane

- Latest!

Combination of:

- foot (1)
- lateral extension beam (2)
- integrated cantilever (3)

With the possibility that the load can be:

- lifted
- lowered
- with the chain drive, moved along the total length of the cantilever.

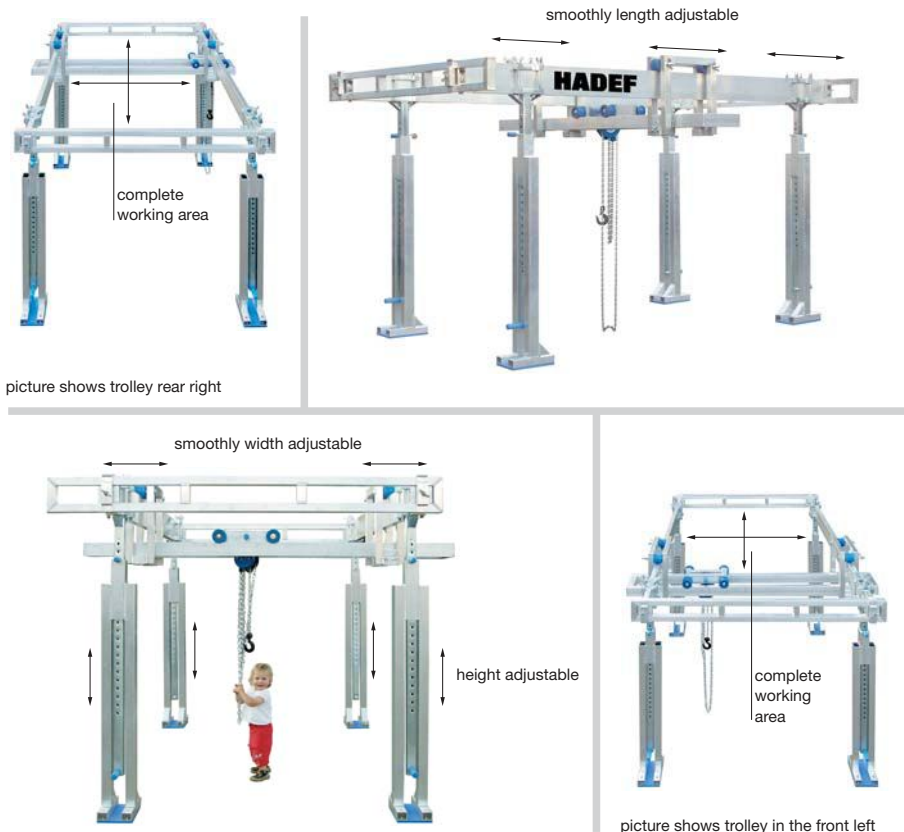
In addition:

- The system is individually height adjustable.
- The lateral extension beam can be moved along the length of the cantilever.



Special Gantry Crane

- Latest!
- Extremely mobile, flexible and free-standing Crane System.
- With the trolley it is possible to reach all positions within the working area.
- Height adjustable
- Length and width adjustable
- Necessitates a highly complex construction.
- The components are nonetheless, despite the versatility and possibilities provided by the Crane, easily assembled and disassembled.





Additional interesting products from our delivery range



HADEF HEINRICH DE FRIES GmbH

Postfach 10 20 51

D-40011 Düsseldorf

Tel.: ++49 (0) 2 11-23 07 0

Fax.: ++49 (0) 2 11-23 07 209

e-mail: mail@hadeff.de

www.hadeff.de